

**Series 4, washing machine, front loader, 8 kg, 1200 rpm
WAN24124AU**



Enjoy the EcoSilence Drive motor quiet operation and durability with the convenience of having a wash program suited for pretty much anything

- **EcoSilence Drive™:** quiet and energy-efficient drive, with a 10-year warranty.
- **ActiveWater Plus load sensing technology that adapts the water flow automatically for the relevant load size**
- **Reload function: forgot an item? Add it easily to the wash.**
- **SpeedPerfect: perfectly clean in up to 65% less time*.**
- **Drum Clean with reminder**

Maximum capacity in kg :	8.0 kg
Built-in / Free-standing:	Free-standing
Height of removable worktop:	-2 mm
Dimensions of the product:	848 x 598 x 550 mm
Net weight:	68.5 kg
Connection rating:	2300 W
Fuse protection:	10 A
Voltage:	220-240 V
Frequency:	50 Hz
Length electrical supply cord:	160.0 cm
Door hinge:	Left
Wheels:	No
EAN code:	4242005341115
Installation typology:	Free-standing



- WMZ2200 Floor securing component
 WMZ2381 Extension for cold water inlet /Aquastop
 WMZPW20W Platform with pull-out, washer, cubic

Series 4, washing machine, front loader, 8 kg, 1200 rpm WAN24124AU

Enjoy the EcoSilence Drive motor quiet operation and durability with the convenience of having a wash program suited for pretty much anything

Capacity

- Capacity: 8 kg

Consumption rates

- 4 Star energy rating
- Energy consumption 300 kWh per year based on Cottons Eco program at 60°C, with 1200 rpm spin speed, seven times per week. When tested in accordance with AS/NZS 2040.2. Actual energy consumption will depend on how the appliance is used.
- 4 Star water rating (WELS)
- Water consumption 78 l litres per wash. Using the Cottons Eco program at 60°C with 1200 rpm spin speed. In accordance with AS/NZS 6400. Actual water consumption will depend on how the appliance is used. AU WELS Registration Number: C02199.

Programs

- Standard programs:
 - Cottons: hard-wearing items made from cotton, linen or blended fabrics
 - Cottons + PreWash: for stubborn stains and heavily soiled garments
 - Easy care: items made from synthetic or blended fabrics
 - Delicate/Silk: Delicate, washable items made from Silk, viscose and synthetics
 - Wool: hand or machine washable items that are made from wool or contain wool
- Additional specialty programs:
 - Drum Clean: cleaning and care program for the drum with reminder function
 - Dark Wash: dark coloured cottons and dark coloured easy care fabrics
 - Shirts/Blouses: non-iron shirts and blouses made from cotton, linen, or blended fabrics
 - Kidswear: energy optimised program for heat-resistant items made of cotton or linen
 - Spin/Drain: spins and drains the water
 - Mixed: lightly soiled items made from cotton, linen, or blended fabrics
 - Sportswear: sports and leisure items made from synthetic fibres, microfibre or fleece
 - Rinse: rinses and then spins the laundry, and then drains the water
 - Super 15'/30': short program for small lightly soiled items

Performance

- Spin speed 400 - 1200 rpm
- EcoSilence Drive: quiet, durable, and energy-efficient brushless motor (BLDC) with 10-year motor warranty
- ActiveWater Plus: for highly efficient use of water even with small loads thanks to automatic load detection.
- Operating noise level (based on Cotton 60°C program): wash 53 / 74 spin dB(A)
- SpeedPerfect: allows you to reduce cleaning time by up to 65%

Features

- Touch control option settings include:
 - Finish in (delayed start): delay the start of the program by up to 24 hours
 - Rinse Plus: Adds more rinse cycles, suited for highly soiled clothing
 - Start/Pause with Reload function: allows you to add a forgotten garment even after the wash cycle has started
 - Temperature selection: manually adjust the temperature
 - SpeedPerfect: reduce

cleaning time by up to 65% Spin Speed: manually adjust the spin speed

- Reload function to pause machine operation for adding in last minute laundry items
- Aqua Protection Plus anti-flood protection with self-sealing hose, minimises the risk of flooding
- Large LED display for program status, temperature, spin speed, and time remaining
- SpeedPerfect: perfectly clean in up to 65% less time.
- Foam detection system to remove excessive foam
- Time delay to select end of time of your wash (1-24 hours) and time remaining indicator
- 3-Direction AquaSpa system for quicker water and detergent absorption
- End of cycle indicator
- AntiVibration Side Panels reduce vibrations and noise levels, making it extremely quiet during the spin cycle

Design

- Large porthole with 180° opening door for easy loading/unloading

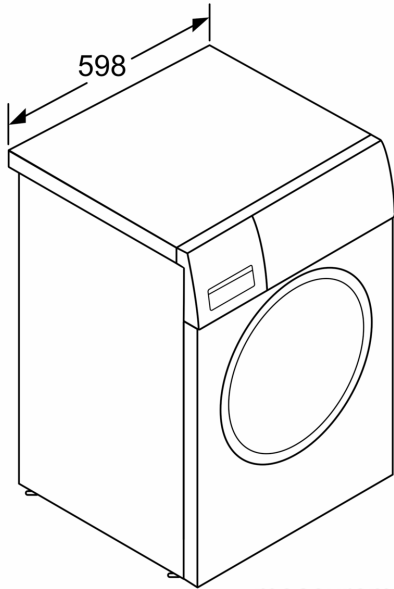
Safety

- Child lock for door and buttons

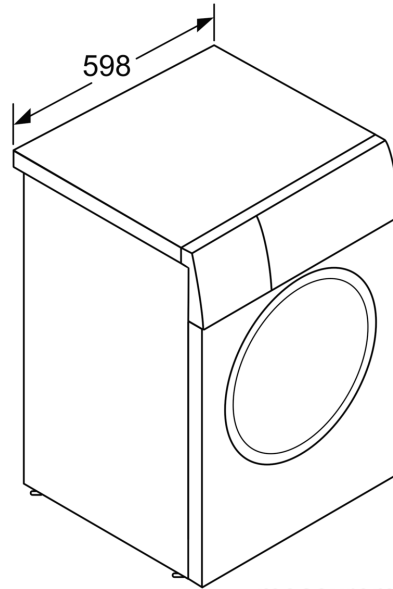
Technical Information

- Slide-under height of 85cm
- Dimensions (H x W x D): 84.8 cm x 59.8 cm x 55.0 cm (60.0 cm including door handle)

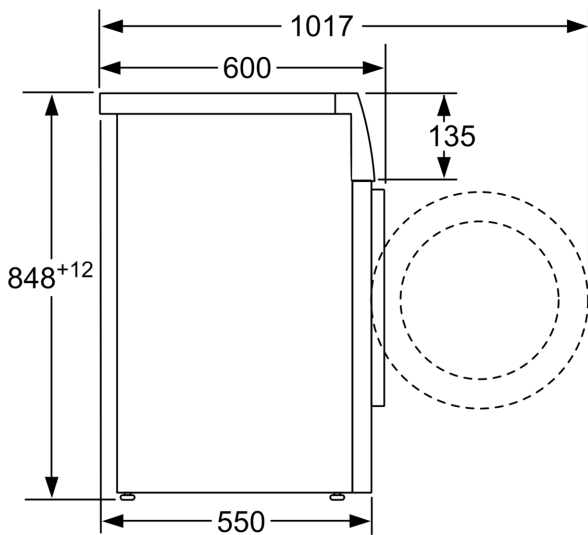
**Series 4, washing machine, front loader, 8 kg, 1200 rpm
WAN24124AU**



measurements in mm



measurements in mm



measurements in mm